

- 1
- 2
- 3
- 4
- 5
- 6
- 7
- 8
- 9
- 10
- 11
- 12
- 13
- 14
- 15
- 16
- 17
- 18

CORPO FILETTATO E CONTRODADO

Acciaio zincato lucido.

PUNTALE

Acciaio INOX AISI 303.

ANELLO / OCCHIELLO DI AZIONAMENTO

Acciaio INOX AISI 301.

MOLLA

Acciaio INOX AISI 301.

MANOPOLA

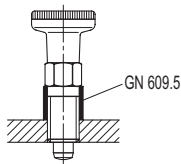
Tecnopolimero a base poliammidica (PA), alta resilienza, colore nero, finitura mat.

ESECUZIONI STANDARD

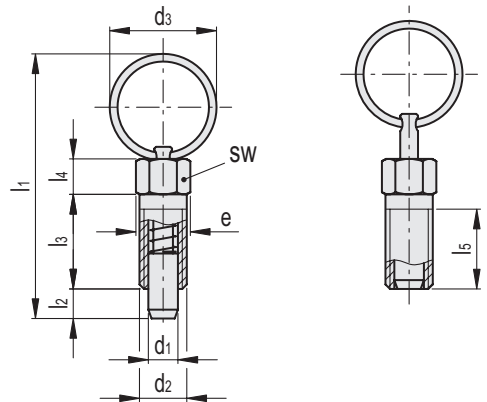
- **GN 717-A-ST:** azionamento ad anello, senza controdamo.
- **GN 717-AK-ST:** azionamento ad anello, con controdamo.
- **GN 717-B-ST:** azionamento a manopola, senza controdamo.
- **GN 717-BK-ST:** azionamento a manopola, con controdamo.
- **GN 717-C-ST:** azionamento a manopola e arresto in posizione retratta, senza controdamo.
- **GN 717-CK-ST:** azionamento a manopola e arresto in posizione retratta, con controdamo.
- **GN 717-D-ST:** azionamento ad occhio ovale, senza controdamo.
- **GN 717-DK-ST:** azionamento ad occhio ovale, con controdamo.

ACCESSORI A RICHIESTA

Bussole distanziali in acciaio INOX AISI 303 GN 609.5 (vedi pag. 562) per montaggio del pistoncino su lamiere di spessore sottile.



GN 717-A-ST

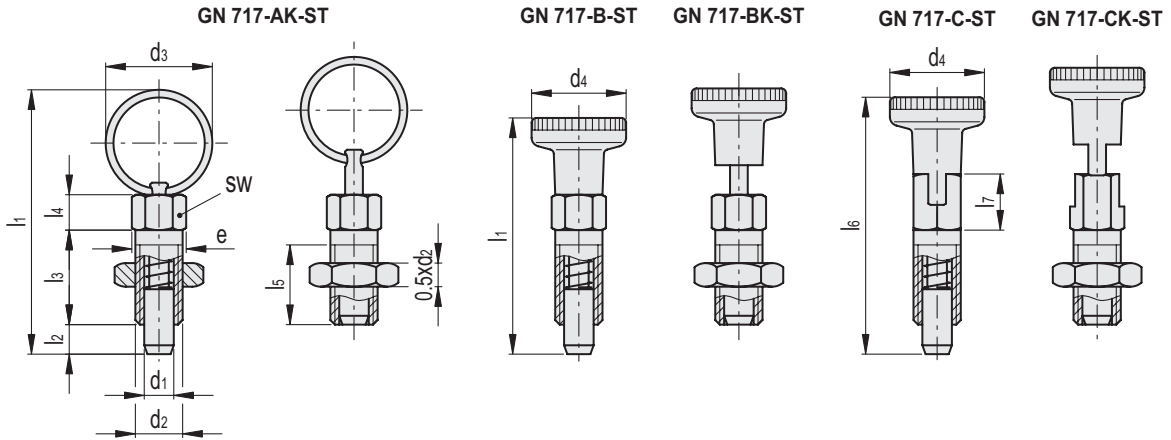


GN 717-A-ST

Codice	Descrizione	d1		d2	d3	e	l1	l2	l3	l4	l5	sw	Coppia max. di serraggio [Nm]			
		Puntale +0-0.05	Foro +0.03+0.08										[N]*	[N]#	Δ	Δ
GN.37308	GN 717-3-M6-A-ST	3	M6	14	6.9	33.5	3.5	12	4.5	10	6	2	3	12	4	
GN.37305	GN 717-3-M6X0.75-A-ST	3	M6x0.75	14	6.9	33.5	3.5	12	4.5	10	6	3	3	12	4	
GN.37301	GN 717-4-M6-A-ST	4	M6	14	6.9	33.5	4	12	4.5	10	6	2	3	12	4	
GN.37315	GN 717-4-M8X1-A-ST	4	M8x1	14	9.2	40.4	4.5	16	6	13.5	8	8	5	24	8	
GN.37302	GN 717-5-M8-A-ST	5	M8	18	9.2	45	5	16	6	13.5	8	7	5	24	8	
GN.37375	GN 717-5-M8X1-A-ST	5	M8x1	18	9.2	45	5	16	6	13.5	8	7	5	24	14	
GN.37318	GN 717-5-M10X1-A-ST	5	M10x1	18	11.5	45	5	16	6	13.5	10	22	5	24	17	
GN.37303	GN 717-6-M10-A-ST	6	M10	24	11.5	57.1	6	20	7.5	17	10	15	5	21	17	
GN.37325	GN 717-6-M12X1.5-A-ST	6	M12x1.5	24	13.8	57.1	6	20	7.5	16.5	12	38	5	21	30	
GN.37304	GN 717-8-M12-A-ST	8	M12	30	13.8	71	8	24	9	20.5	12	20	6	22	30	
GN.37395	GN 717-8-M12X1.5-A-ST	8	M12x1.5	30	13.8	71	8	24	9	20.5	12	20	6	22	42	
GN.37328	GN 717-8-M16X1.5-A-ST	8	M16x1.5	30	19.6	71	8	24	9	20.5	17	80	6	22	54	
GN.37415	GN 717-10-M16X1.5-A-ST	10	M16x1.5	30	19.6	74.8	10	26	9	22.5	17	80	4	27	70	

* Precarico molla

Carico massimo molla



GN 717-AK-ST

Codice	Descrizione	d1 Puntale +0-0.05 Foro +0.03 +0.08	d2	d3	e	l1	l2	l3	l4	l5	sw	Coppia max. di serraggio [Nm]	[N]*	[N]#	△
GN.37253	GN 717-3-M6-AK-ST	3	M6	14	6.9	33.5	3.5	12	4.5	10	6	2	3	12	4
GN.37250	GN 717-3-M6X0.75-AK-ST	3	M6x0.75	14	6.9	33.5	3.5	12	4.5	10	6	3	3	12	5
GN.37311	GN 717-4-M6-AK-ST	4	M6	14	6.9	33.5	4	12	4.5	10	6	2	3	12	5
GN.37256	GN 717-4-M8X1-AK-ST	4	M8x1	14	9.2	40.4	4.5	16	6	13.5	8	8	5	24	11
GN.37312	GN 717-5-M8-AK-ST	5	M8	18	9.2	45	5	16	6	13.5	8	7	5	24	11
GN.37378	GN 717-5-M8X1-AK-ST	5	M8x1	18	9.2	45	5	16	6	13.5	8	7	5	24	19
GN.37259	GN 717-5-M10X1-AK-ST	5	M10x1	18	11.5	45	5	16	6	13.5	10	22	5	24	22
GN.37313	GN 717-6-M10-AK-ST	6	M10	24	11.5	57.1	6	20	7.5	17	10	15	5	21	22
GN.37262	GN 717-6-M12X1.5-AK-ST	6	M12x1.5	24	13.8	57.1	6	20	7.5	16.5	12	38	5	21	41
GN.37314	GN 717-8-M12-AK-ST	8	M12	30	13.8	71	8	24	9	20.5	12	20	6	22	41
GN.37398	GN 717-8-M12X1.5-AK-ST	8	M12x1.5	30	13.8	71	8	24	9	20.5	12	20	6	22	68
GN.37265	GN 717-8-M16X1.5-AK-ST	8	M16x1.5	30	19.6	71	8	24	9	20.5	17	80	6	22	80
GN.37418	GN 717-10-M16X1.5-AK-ST	10	M16x1.5	30	19.6	74.8	10	26	9	22.5	17	80	4	27	104

GN 717-B-ST

Codice	Descrizione	d1 Puntale +0-0.05 Foro +0.03 +0.08	d2	d4	e	l1	l2	l3	l4	l5	sw	Coppia max. di serraggio [Nm]	[N]*	[N]#	△
GN.37309	GN 717-3-M6-B-ST	3	M6	12	6.9	30	3.5	12	4.5	10	6	2	3	12	4
GN.37306	GN 717-3-M6X0.75-B-ST	3	M6x0.75	12	6.9	30	3.5	12	4.5	10	6	3	3	12	4
GN.37321	GN 717-4-M6-B-ST	4	M6	12	6.9	30.5	4	12	4.5	10	6	2	3	12	4
GN.37316	GN 717-4-M8X1-B-ST	4	M8x1	16	9.2	39.5	4.5	16	6	13.5	8	8	5	24	9
GN.37322	GN 717-5-M8-B-ST	5	M8	16	9.2	40	5	16	6	13.5	8	7	5	24	9
GN.37376	GN 717-5-M8X1-B-ST	5	M8x1	16	9.2	40	5	16	6	13.5	8	7	5	24	14
GN.37319	GN 717-5-M10X1-B-ST	5	M10x1	18	11.5	42.5	5	16	6	13.5	10	22	5	24	18
GN.37323	GN 717-6-M10-B-ST	6	M10	18	11.5	49	6	20	7.5	17	10	15	5	21	18
GN.37326	GN 717-6-M12X1.5-B-ST	6	M12x1.5	21	13.8	52	6	20	7.5	16.5	12	38	5	21	32
GN.37324	GN 717-8-M12-B-ST	8	M12	21	13.8	59	8	24	9	20.5	12	20	6	22	32
GN.37396	GN 717-8-M12X1.5-B-ST	8	M12x1.5	21	13.8	59	8	24	9	20.5	12	20	6	22	42
GN.37329	GN 717-8-M16X1.5-B-ST	8	M16x1.5	25	19.6	63.5	8	24	9	20.5	17	80	6	22	50
GN.37416	GN 717-10-M16X1.5-B-ST	10	M16x1.5	25	19.6	67.5	10	26	9	22.5	17	80	4	27	71

* Precarico molla

Carico massimo molla



1



2



3



4



5



6



7



8



9



10



11



12



13



14



15



16



17



18



RH



GN 717-BK-ST

Codice	Descrizione	d1											Coppia max. di serraggio		
		Puntale +0-0.05 Foro +0.03+0.08	d2	d4	e	l1	l2	l3	l4	l5	sw	[Nm]	[N]#	ΔΔ	
GN.37254	GN 717-3-M6-BK-ST	3	M6	12	6.9	30	3.5	12	4.5	10	6	2	3	12	4
GN.37251	GN 717-3-M6X0.75-BK-ST	3	M6x0.75	12	6.9	30	3.5	12	4.5	10	6	3	3	12	5
GN.37331	GN 717-4-M6-BK-ST	4	M6	12	6.9	30.5	4	12	4.5	10	6	2	3	12	5
GN.37257	GN 717-4-M8X1-BK-ST	4	M8x1	16	9.2	39.5	4.5	16	6	13.5	8	8	5	24	12
GN.37332	GN 717-5-M8-BK-ST	5	M8	16	9.2	40	5	16	6	13.5	8	7	5	24	12
GN.37379	GN 717-5-M8X1-BK-ST	5	M8x1	16	9.2	40	5	16	6	13.5	8	7	5	24	19
GN.37260	GN 717-5-M10X1-BK-ST	5	M10x1	18	11.5	42.5	5	16	6	13.5	10	22	5	24	23
GN.37333	GN 717-6-M10-BK-ST	6	M10	18	11.5	49	6	20	7.5	17	10	15	5	21	23
GN.37263	GN 717-6-M12X1.5-BK-ST	6	M12x1.5	21	13.8	52	6	20	7.5	16.5	12	38	5	21	43
GN.37334	GN 717-8-M12-BK-ST	8	M12	21	13.8	59	8	24	9	20.5	12	20	6	22	43
GN.37399	GN 717-8-M12X1.5-BK-ST	8	M12x1.5	21	13.8	59	8	24	9	20.5	12	20	6	22	68
GN.37266	GN 717-8-M16X1.5-BK-ST	8	M16x1.5	25	19.6	63.5	8	24	9	20.5	17	80	6	22	80
GN.37419	GN 717-10-M16X1.5-BK-ST	10	M16x1.5	25	19.6	67.5	10	26	9	22.5	17	80	4	27	104

GN 717-C-ST

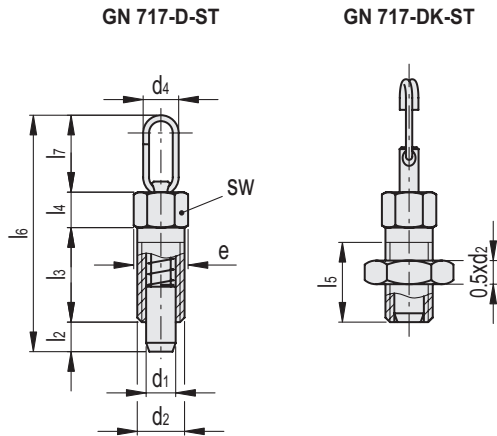
Codice	Descrizione	d1											Coppia max. di serraggio		
		Puntale +0-0.05 Foro +0.03+0.08	d2	d4	e	l2	l3	l5	l6	l7	sw	[Nm]	[N]#	ΔΔ	
GN.37310	GN 717-3-M6-C-ST	3	M6	12	6.9	3.5	12	10	32.5	7	6	2	3	12	4
GN.37307	GN 717-3-M6X0.75-C-ST	3	M6x0.75	12	6.9	3.5	12	10	32.5	7	6	3	3	12	4
GN.37341	GN 717-4-M6-C-ST	4	M6	12	6.9	4	12	10	33	7	6	2	3	12	4
GN.37317	GN 717-4-M8X1-C-ST	4	M8x1	16	9.2	4.5	16	13.5	43	9.5	8	8	5	24	10
GN.37342	GN 717-5-M8-C-ST	5	M8	16	9.2	5	16	13.5	43.5	9.5	8	7	5	24	10
GN.37377	GN 717-5-M8X1-C-ST	5	M8x1	16	9.2	5	16	13.5	43.5	9.5	8	7	5	24	16
GN.37320	GN 717-5-M10X1-C-ST	5	M10x1	18	11.5	5	16	13.5	46	9.5	10	22	5	24	19
GN.37343	GN 717-6-M10-C-ST	6	M10	18	11.5	6	20	17	52	10.5	10	15	5	21	19
GN.37327	GN 717-6-M12X1.5-C-ST	6	M12x1.5	21	13.8	6	20	16.5	55	10.5	12	38	5	21	35
GN.37344	GN 717-8-M12-C-ST	8	M12	21	13.8	8	24	20.5	63.5	13.5	12	20	6	22	35
GN.37397	GN 717-8-M12X1.5-C-ST	8	M12x1.5	21	13.8	8	24	20.5	63.5	13.5	12	20	6	22	48
GN.37330	GN 717-8-M16X1.5-C-ST	8	M16x1.5	25	19.6	8	24	20.5	68	13.5	17	80	6	22	60
GN.37417	GN 717-10-M16X1.5-C-ST	10	M16x1.5	25	19.6	10	26	22.5	72.5	14	17	80	4	27	80

GN 717-CK-ST

Codice	Descrizione	d1											Coppia max. di serraggio		
		Puntale +0-0.05 Foro +0.03+0.08	d2	d4	e	l2	l3	l5	l6	l7	sw	[Nm]	[N]#	ΔΔ	
GN.37255	GN 717-3-M6-CK-ST	3	M6	12	6.9	3.5	12	10	32.5	7	6	2	3	12	4
GN.37252	GN 717-3-M6X0.75-CK-ST	3	M6x0.75	12	6.9	3.5	12	10	32.5	7	6	3	3	12	5
GN.37351	GN 717-4-M6-CK-ST	4	M6	12	6.9	4	12	10	33	7	6	2	3	12	5
GN.37258	GN 717-4-M8X1-CK-ST	4	M8x1	16	9.2	4.5	16	13.5	43	9.5	8	8	5	24	12
GN.37352	GN 717-5-M8-CK-ST	5	M8	16	9.2	5	16	13.5	43.5	9.5	8	7	5	24	12
GN.37380	GN 717-5-M8X1-CK-ST	5	M8x1	16	9.2	5	16	13.5	43.5	9.5	8	7	5	24	18
GN.37261	GN 717-5-M10X1-CK-ST	5	M10x1	18	11.5	5	16	13.5	46	9.5	10	22	5	24	24
GN.37353	GN 717-6-M10-CK-ST	6	M10	18	11.5	6	20	17	52	10.5	10	15	5	21	24
GN.37264	GN 717-6-M12X1.5-CK-ST	6	M12x1.5	21	13.8	6	20	16.5	55	10.5	12	38	5	21	46
GN.37354	GN 717-8-M12-CK-ST	8	M12	21	13.8	8	24	20.5	63.5	13.5	12	20	6	22	46
GN.37400	GN 717-8-M12X1.5-CK-ST	8	M12x1.5	21	13.8	8	24	20.5	63.5	13.5	12	20	6	22	68
GN.37267	GN 717-8-M16X1.5-CK-ST	8	M16x1.5	25	19.6	8	24	20.5	68	13.5	17	80	6	22	80
GN.37420	GN 717-10-M16X1.5-CK-ST	10	M16x1.5	25	19.6	10	26	22.5	72.5	14	17	80	4	27	110

* Precarico molla

Carico massimo molla



GN 717-D-ST

Codice	Descrizione	d1		d2	d4	e	l2	l3	l4	l5	l6	l7	sw	Coppia max. di serraggio [Nm]			
		Puntale +0-0.05	Foro +0.03+0.08											[N]*	[N]#	Δ	Δ
GN.36221	GN 717-3-M6-D-ST	3	M6	6	6.9	3.5	12	4.5	10	32.9	12.9	6	2	3	12	3	
GN.36222	GN 717-3-M6X0.75-D-ST	3	M6x0.75	6	6.9	3.5	12	4.5	10	32.9	12.9	6	3	3	12	3	
GN.36224	GN 717-4-M6-D-ST	4	M6	6	6.9	4	12	4.5	10	33.4	12.9	6	2	3	12	4	
GN.36225	GN 717-4-M8X1-D-ST	4	M8x1	6	9.2	4.5	16	6	13.5	42	15.5	8	8	5	24	9	
GN.36227	GN 717-5-M8-D-ST	5	M8	7.2	9.2	5	16	6	13.5	42.5	15.5	8	7	5	24	9	
GN.36228	GN 717-5-M8X1-D-ST	5	M8x1	7.2	9.2	5	16	6	13.5	42.5	15.5	8	7	5	24	9	
GN.36229	GN 717-5-M10X1-D-ST	5	M10x1	7.2	11.5	5	16	6	13.5	42.5	15.5	10	22	5	24	17	
GN.36231	GN 717-6-M10-D-ST	6	M10	9.5	11.5	6	20	7.5	17	54.4	20.9	10	15	5	21	14	
GN.36232	GN 717-6-M12X1.5-D-ST	6	M12x1.5	9.5	13.8	6	20	7.5	16.5	54.4	20.9	12	38	5	21	21	
GN.36234	GN 717-8-M12-D-ST	8	M12	11.8	13.8	8	24	9	20.5	66.9	25.9	12	20	6	22	26	
GN.36235	GN 717-8-M12X1.5-D-ST	8	M12x1.5	11.8	13.8	8	24	9	20.5	66.9	25.9	12	20	6	22	29	
GN.36236	GN 717-8-M16X1.5-D-ST	8	M16x1.5	11.8	19.6	8	24	9	20.5	66.9	25.9	17	80	6	22	52	
GN.36238	GN 717-10-M16X1.5-D-ST	10	M16x1.5	11.8	19.6	10	26	9	22.5	70.9	25.9	17	80	4	27	54	

GN 717-DK-ST

Codice	Descrizione	d1		d2	d4	e	l2	l3	l4	l5	l6	l7	sw	Coppia max. di serraggio [Nm]			
		Puntale +0-0.05	Foro +0.03+0.08											[N]*	[N]#	Δ	Δ
GN.36261	GN 717-3-M6-DK-ST	3	M6	6	6.9	3.5	12	4.5	10	32.9	12.9	6	2	3	12	5	
GN.36262	GN 717-3-M6X0.75-DK-ST	3	M6x0.75	6	6.9	3.5	12	4.5	10	32.9	12.9	6	3	3	12	5	
GN.36264	GN 717-4-M6-DK-ST	4	M6	6	6.9	4	12	4.5	10	33.4	12.9	6	2	3	12	5	
GN.36265	GN 717-4-M8X1-DK-ST	4	M8x1	6	9.2	4.5	16	6	13.5	42	15.5	8	8	5	24	12	
GN.36267	GN 717-5-M8-DK-ST	5	M8	7.2	9.2	5	16	6	13.5	42.5	15.5	8	7	5	24	12	
GN.36268	GN 717-5-M8X1-DK-ST	5	M8x1	7.2	9.2	5	16	6	13.5	42.5	15.5	8	7	5	24	12	
GN.36269	GN 717-5-M10X1-DK-ST	5	M10x1	7.2	11.5	5	16	6	13.5	42.5	15.5	10	22	5	24	19	
GN.36271	GN 717-6-M10-DK-ST	6	M10	9.5	11.5	6	20	7.5	17	54.4	20.9	10	15	5	21	24	
GN.36272	GN 717-6-M12X1.5-DK-ST	6	M12x1.5	9.5	13.8	6	20	7.5	16.5	54.4	20.9	12	38	5	21	33	
GN.36274	GN 717-8-M12-DK-ST	8	M12	11.8	13.8	8	24	9	20.5	66.9	25.9	12	20	6	22	42	
GN.36275	GN 717-8-M12X1.5-DK-ST	8	M12x1.5	11.8	13.8	8	24	9	20.5	66.9	25.9	12	20	6	22	42	
GN.36276	GN 717-8-M16X1.5-DK-ST	8	M16x1.5	11.8	19.6	8	24	9	20.5	66.9	25.9	17	80	6	22	76	
GN.36278	GN 717-10-M16X1.5-DK-ST	10	M16x1.5	11.8	19.6	10	26	9	22.5	70.9	25.9	17	80	4	27	78	

* Precarico molla

Carico massimo molla